



Optimize Piling Production  
and Revenue



# Trimble Groundworks Machine Control System for Piling



# Stay on target for more profit

Trimble Groundworks can enhance worksite safety, accuracy and the efficiency of piling operations. All day, every day, in any weather.

Realize maximum production and revenue with the Trimble® Groundworks Machine Control System for Piling—an aftermarket, land-based, 3D piling system for the mixed fleet operator.

- ▶ Stakeless piling and minimal lay out reduces workload and cost
- ▶ Keep personnel safe by reducing the need to be near machines and warns the operator when entering avoidance zones
- ▶ Limit operator fatigue by reducing paperwork

## Increase efficiency for ROI

Trimble Groundworks can pay for itself by:

- ▶ Using RTK for extreme precision and accuracy
- ▶ Piling exactly to defined elevation using Auto Stop
- ▶ Navigating to battered or vertical piles from any direction
- ▶ Reducing time and money spent on surveyors and stakes
- ▶ Logging as-built data during operation
- ▶ Reducing rework
- ▶ Reducing site visits by syncing data via Wi-Fi or cellular direct to the office

## Easy to use

Trimble Groundworks was designed with the operator in mind utilizing large icons and simple workflows to allow all operators to start using system quickly.

## Connectivity is profitability

Bring the office and the field together with a total solution:

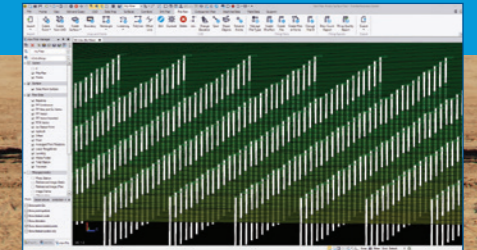
- ▶ Trimble Business Center creates and manages design data to avoid costly mistakes
- ▶ Connected Community allows design data to be shared in the cloud and ensures operators are always working with the most recent information
- ▶ Trimble Groundworks gathers as built data so Trimble Business Center can run accurate quality, production, and utilization reports

Part of the Trimble Connected Site® portfolio, Trimble Groundworks is an integrated solution that brings the office and the field together to give you less rework, more productivity, and best of all — more profitability.



## OFFICE SOFTWARE

Trimble Business Center. Optimized pile plans. Optimal results. Rapidly create optimized 3D pile plans with Trimble Business Center, then generate comprehensive quality and production reports. With Trimble Business Center and Trimble Groundworks, more profits are at your fingertips.



Rugged VERSO 12 display

Clearly see avoidance zones for safer worksites

Configurable views



Easy to use, intuitive interface

Modern, colorful graphics

## RUGGED HARDWARE FOR ALL MACHINE TYPES

Trimble antennas and receivers. Smart and tough. A great combination.

Work in tough environments, at long ranges, with centimeter level 3D positioning with proven Trimble antennas and receivers. You get increased productivity and reduced downtime on the job. Trimble equipment is certified tough enough to withstand the shock and vibration of piling machines.

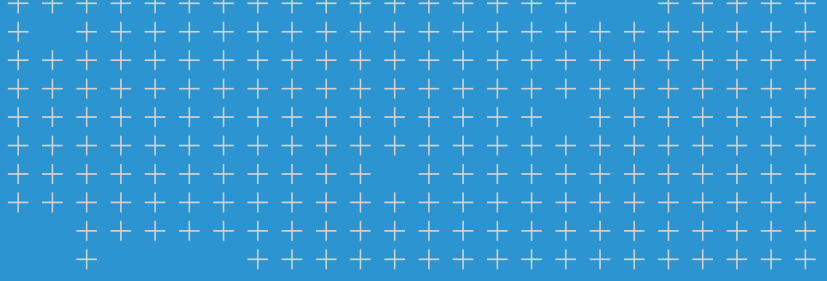
Trimble sensors for control. Maximize efficiency. Minimize rework.

Trimble sensors give you leader tilt and depth control with Auto Stop at the target elevation.

Trimble VERSO 12 display. Keep your machines working. Not waiting.

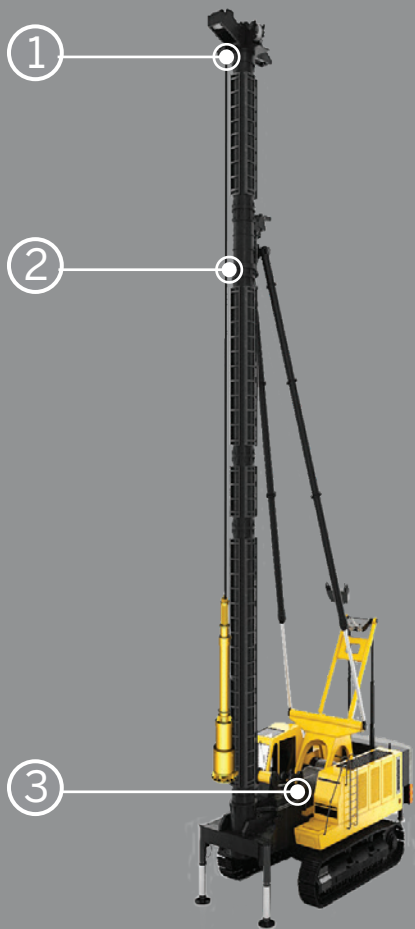
Your machines can be up and running 24/7 with the rugged and fully connected Trimble VERSO 12 and Trimble Groundworks Software. The easy-to-read touch screen makes navigation simple and quick.





# Trimble: Transforming the Way the World Works

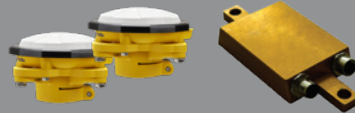
Set your sites on boundless possibilities with Trimble, the only provider of hardware and software solutions for every phase of your project's life cycle. From start to finish your project is under control. Plan with Confidence. Design with Confidence. Construct with Confidence.



1 DEPTH SENSOR AND PROXIMITY SWITCH



2 GNSS ANTENNAS AND TILT SENSOR



3 TRIMBLE VERSO 12, SPS RECEIVERS, JUNCTION BOX AND I/O BOX. ADD SNM941 MODEM FOR CELL OR WIFI (OPTIONAL)



## SITECH

[www.sitechukandireland.com](http://www.sitechukandireland.com)



Authorised Dealer

### SITECH UK

Unit 17, Morgans Business Park, Be  
Cannock, WS11 9UU

United Kingdom

0845 600 5669

[info@sitechukandireland.com](mailto:info@sitechukandireland.com)

### SITECH Ireland

Unit A Aerodrome Business Park  
Rathcoole, CO. Dublin

ROI

353 1257 4075

[info@sitechukandireland.com](mailto:info@sitechukandireland.com)

### Trimble Civil Engineering and Construction

10368 Westmoor Drive  
Westminster, Colorado 80021 USA  
800-361-1249 (Toll Free)  
+1-937-245-5154 Phone  
[construction\\_news@trimble.com](mailto:construction_news@trimble.com)

